

Illustrated Parts Manual for the EP 1B embroidery peripheral

- Single head, single needle
- Easy to operate
- Low power consumption
- High-quality results

Part Number 12617 Revision A

Melco 
Embroidery Systems

A Saurer Group Company

1575 West 124th Avenue
Denver, Colorado 80234
United States of America
Internet Address: publications@melco.com

Copyright © Melco Embroidery Systems, 1999

ALL RIGHTS RESERVED No part of this publication may be reproduced, stored in a retrieval system, or transmitted in any form or by any means (electronic, mechanical, photocopying, recording, or otherwise) without prior written approval of Melco Embroidery Systems. Melco reserves the right to revise this publication and to make changes in it at any time without obligation of Melco to notify any person or organization of such revisions or changes.

All precautions have been taken to avoid errors or misrepresentations of facts, equipment, or products. However, Melco Embroidery Systems does not assume any liability to any party for loss or damage caused by errors or omissions.

Printed in the United States of America

First Printing: April, 1999

EP 1B Illustrated Parts Manual

How To Use This Manual

The manual is divided into several sections, each containing a set of parts most common to each other, or to a function of the machine.

Illustrations

Accompanying each section is an illustration showing the general area of the machine that is represented in that section. Parts are identified with numbers in these illustrations. Part numbers and part identifications are found on the page adjacent to the illustration.

Item Numbers

All the item numbers in an illustration are listed in the first column of the parts listing accompanying that illustration.

Part Numbers

The Melco part number is found in the second column of the parts list, directly in line with each item number from the first column. Not all parts have an assigned "Melco" part number.

Only those parts with Melco part numbers are inventoried at Melco and may be ordered by calling (303) 457-2025 (domestic) or (303) 457-1234 (International).

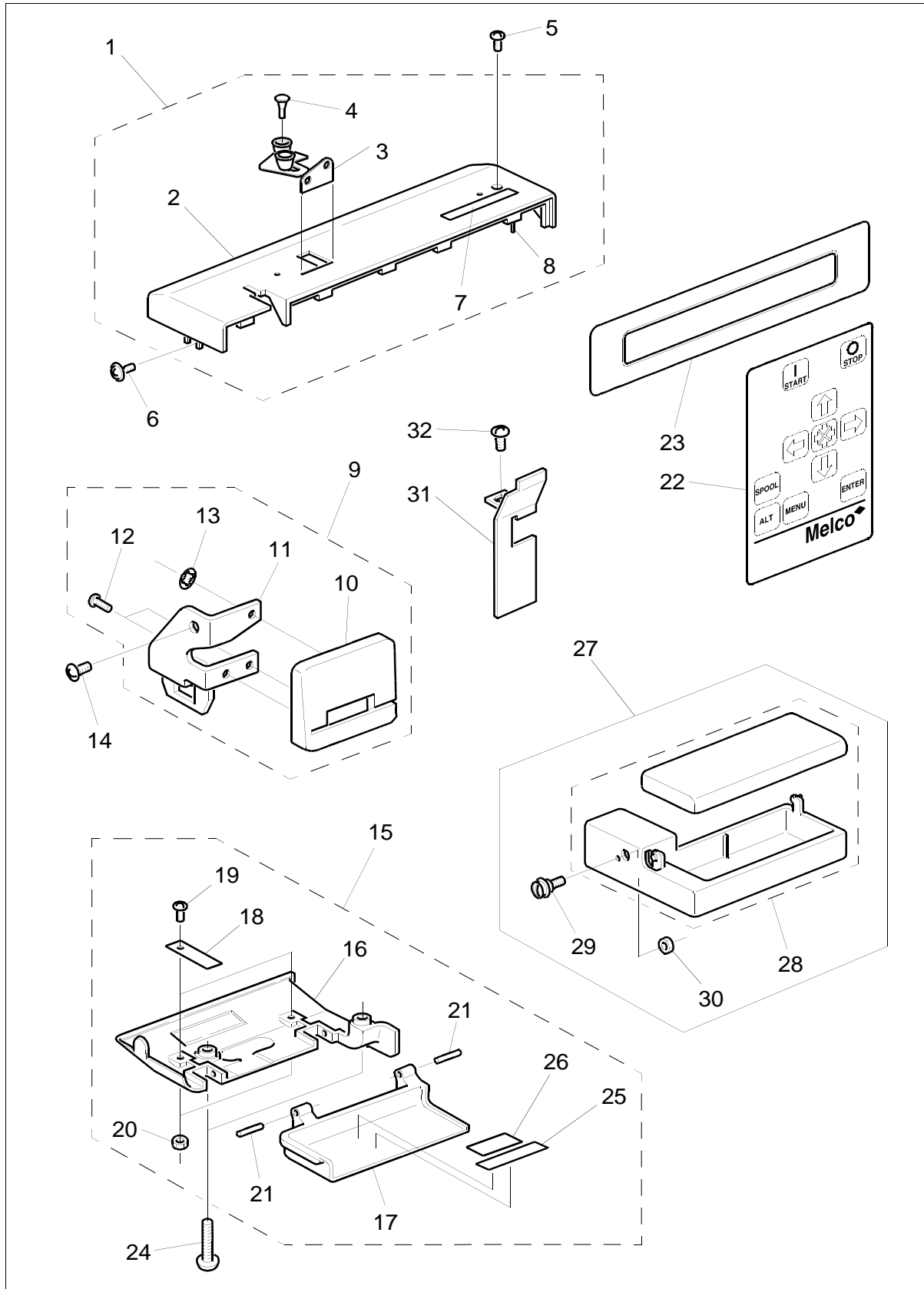
All other parts must be obtained through a special ordering process by calling Melco Service at (303) 457-2025 and referring to the vendor part number found in the third column of the part list.

Part Descriptions

Each part listed has a description found in the fourth column of the parts listing. Hardware (such as screws, washers, etc.) are described by size in order to help the user to identify common hardware items that can be obtained by local sources if desired.

CAUTION: WHEN PURCHASING HARDWARE FROM A SOURCE OTHER THAN MELCO, IT IS THE USER'S RESPONSIBILITY TO ENSURE THAT SUCH HARDWARE IS OF SUFFICIENT QUALITY AND GRADE TO MEET OR EXCEED THE ORIGINAL EQUIPMENT HARDWARE. MELCO ASSUMES NO LIABILITY FOR THE USE OF INADEQUATE HARDWARE THAT IS PURCHASED BY AND/OR INSTALLED BY OTHER THAN AN AUTHORIZED MELCO FACTORY REPRESENTATIVE.

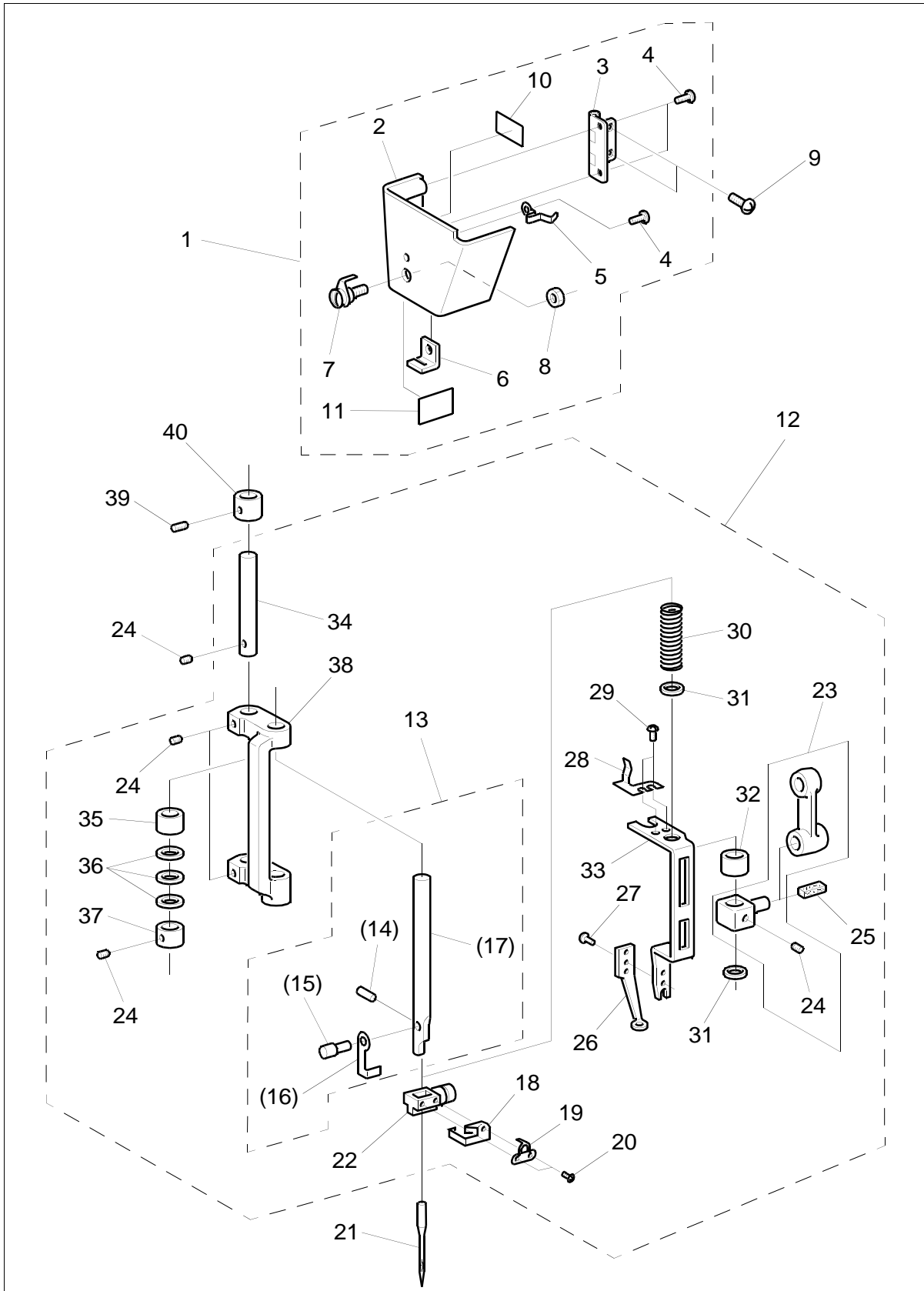
EP 1B Illustration # 1



Parts List for Illustration # 1

<u>Item Identifier</u>	<u>Melco Part Number</u>	<u>Vendor Part Number</u>	<u>Item Description</u>	<u>Quantity</u>
1	12481	718-632-014	Top cover (Unit)	1
2	12482	718-113-117	Top cover	1
3		716-533-007	Thread guide (Unit)	1
4		000-107-318	Set screw M3 x 8 mm (B)	2
5		000-103-211	Set screw M4 x 30 mm	1
6		000-115-205	Set screw M4 x x 6 mm	1
7		718-105-002	Sticker	1
8		718-114-004	Rope	1
9		731-625-808	Front decorative frame (Unit)	1
10		731-064-700	Front decorative frame	1
11		731-062-007	Set plate for face plate	1
12		000-120-203	Set screw M3 x 8 mm (B)	2
13		000-014-007	Snap ring 4	1
14		000-101-507	Set screw M3.5 x 5 mm	1
15		716-632-203	Bed cover (Unit)	1
16		715-171-206	Bed cover	1
17		730-005-308	Hook cover	1
18		730-006-000	Leaf spring	2
19		810-220-003	Set screw	2
20		000-061-205	Nut 4-3-7	2
21		000-021-409	Spring pin M2.5 x 10 mm (K)	2
22	12483	718-214-005	Switch sheet	1
23	12484	718-217-008	Decorative sheet	1
24		000-101-703	Set screw M4 x 12 mm	2
25		716-003-003	Sticker (1)	1
26		718-073-000	Sticker (2)	1
27		716-610-205	Auxiliary table (Unit)	1
28		716-950-200	Auxiliary table (Unit)	1
29		715-605-008	Thread holder (Unit)	1
30		000-061-205	Nut 4-3-7	1
31		715-039-005	Set plate	1
32		000-081-005	Set screw M4 x 8 mm	1

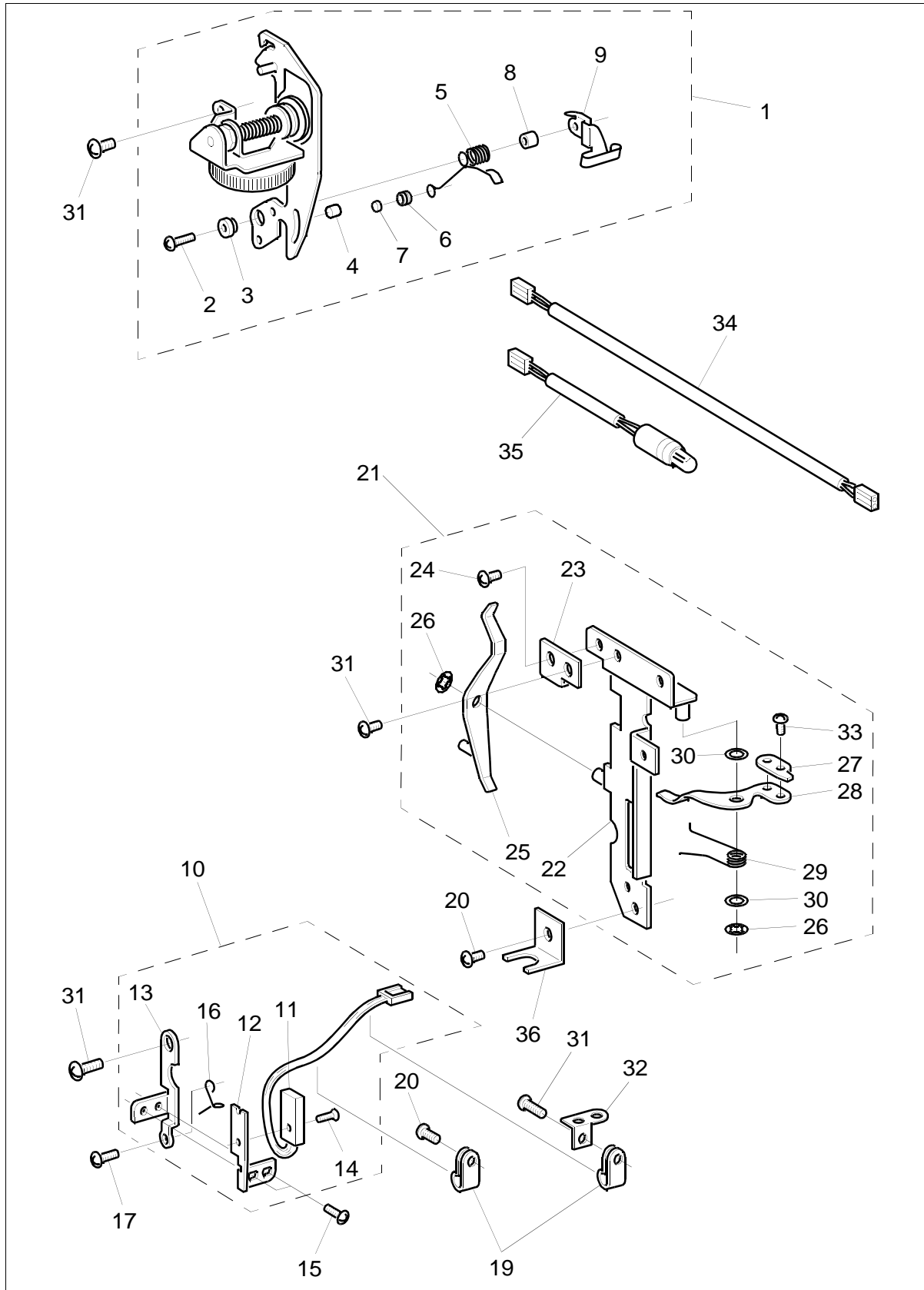
EP 1B Illustration # 2



Parts List for Illustration # 2

<u>Item Identifier</u>	<u>Melco Part Number</u>	<u>Vendor Part Number</u>	<u>Item Description</u>	<u>Quantity</u>
1	12485	718-631-105	Face plate (Unit)	1
2		715-013-209	Face plate 1	1
3		366-501-102	Face plate hinge (Unit)	1
4		000-120-203	Set screw M3 x 8 mm(B)	3
5		731-067-002	Face plate spring	1
6		822-532-008	Thread cutter (Unit)	1
7		715-605-008	Thread holder (Unit)	1
8		000-061-205	Nut 4-3-7	1
9		000-081-119	Set screw M4 x 6 mm	2
10		718-073-000	Sticker(2)	1
11	12486	718-200-008	Sticker	1
12		716-603-009	Needle bar (Unit)	1
13		716-680-000	Needle bar (Unit)	1
(14)		000-004-901	Spring pin 1.6 x 5 mm	1
(15)		822-323-004	Pin	1
(16)		822-324-005	Needle guide	1
(17)		716-008-008	Needle bar	1
18		716-122-009	Needle bar thread guide	1
19		716-009-009	Set plate for thread guide	1
20		000-105-501	Set screw 1.6 x 2.5 mm (1)	2
21		102-408-056	Needle HA1-11	1
22		715-534-005	Needle clamp (Unit)	1
23		715-501-003	Needle bar connecting stud (Unit)	1
24		000-111-201	Socket screw M4 x 4 mm	5
25		715-019-009	Felt (1)	1
26		716-011-004	Presser foot (2)	1
27		716-012-005	Set screw	1
28		716-013-006	Leaf spring	1
29		000-096-807	Set screw M2.3 x 4 mm	2
30		715-021-004	Presser bar spring	1
31		715-023-006	presser bar ring	2
32		715-022-005	Cushion (1)	1
33		716-010-003	Presser foot (1)	1
34		715-025-008	Guide bar	1
35		715-026-009	Cushion (2)	1
36		715-027-000	Felt	3
37		715-028-001	Ring	1
38		715-024-007	Needle bar supporter	1
39		000-111-108	Socket screw M4 x 6 mm	1
40		715-029-002	Bushing	1

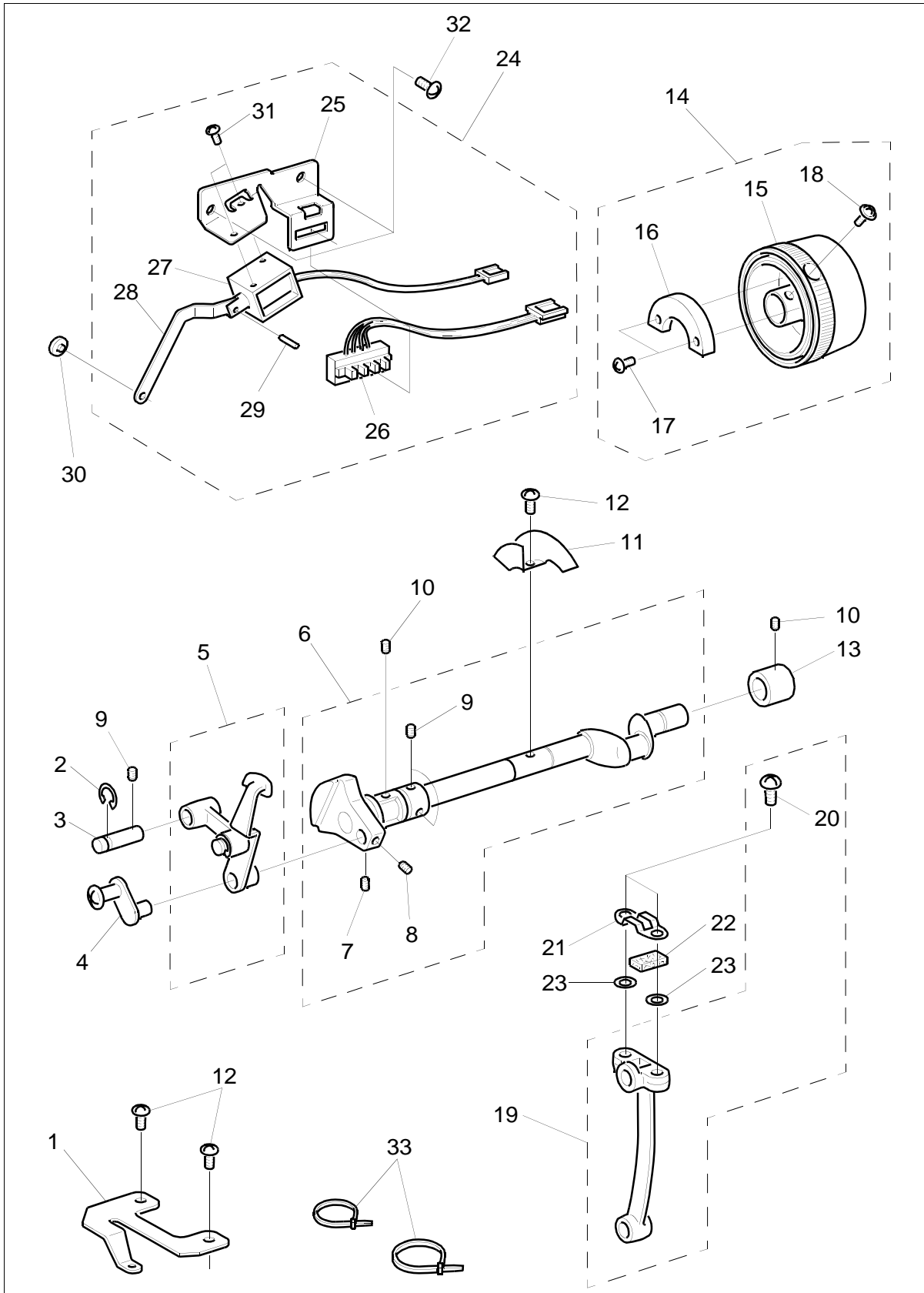
EP 1B Illustration # 3



Parts List for Illustration # 3

<u>Item Identifier</u>	<u>Melco Part Number</u>	<u>Vendor Part Number</u>	<u>Item Description</u>	<u>Quantity</u>
1		718-650-007	Stitch Balancing thread tension (Unit)	1
2		000-120-100	Set screw M3 x 14 mm (S)	1
3		716-020-006	Take up spring guide	1
4		650-043-008	Cushion	1
5	12487	718-201-009	Take up spring	1
6	12488	718-202-000	Case	1
7	12489	718-203-001	Magnet	1
8		625-057-007	Spring guide	1
9		650-045-000	Thread guide	1
10	12490	718-651-008	Thread breakage sensor (Unit)	1
11	12491	718-541-004	Magnet sensor (Unit)	1
12	12492	718-204-002	Set plate (1)	1
13	12493	718-205-003	Set plate (2)	1
14	12494	000-095-909	Set screw M2 x 8 mm	1
15		000-101-105	Set screw M3 x 4 mm	2
16		715-217-009	Thread guide	1
17		000-068-903	Set screw M3.5 x 8 mm	1
18		000-053-008	Grip band	1
19		000-126-003	Nylon clip SL-3N	2
20		000-101-404	Set screw M4 x 6 mm	2
21		718-601-003	Front bracket (Unit)	1
22		716-014-007	Front bracket	1
23		716-018-001	Guide plate	1
24		000-103-705	Set screw M4 x 5 mm	1
25		716-015-008	Thread tension release lever	1
26		000-013-903	Snap ring 5	2
27		716-016-009	Thread tension release plate (1)	1
28		730-031-004	Thread tension release plate (2)	1
29		718-004-000	Spring	1
30		000-036-603	Thrust washer FT-50 t 0.5	2
31		000-081-005	Set screw M4 x 8 mm	4
32		724-267-013	Set plate	1
33		000-103-808	Set screw M3 x 5 mm	1
34	12510	888-508-102	Cable unit	1
35	12480	830-538-227	Lamp socket unit	1
36		830-059-001	Lamp set plate	1

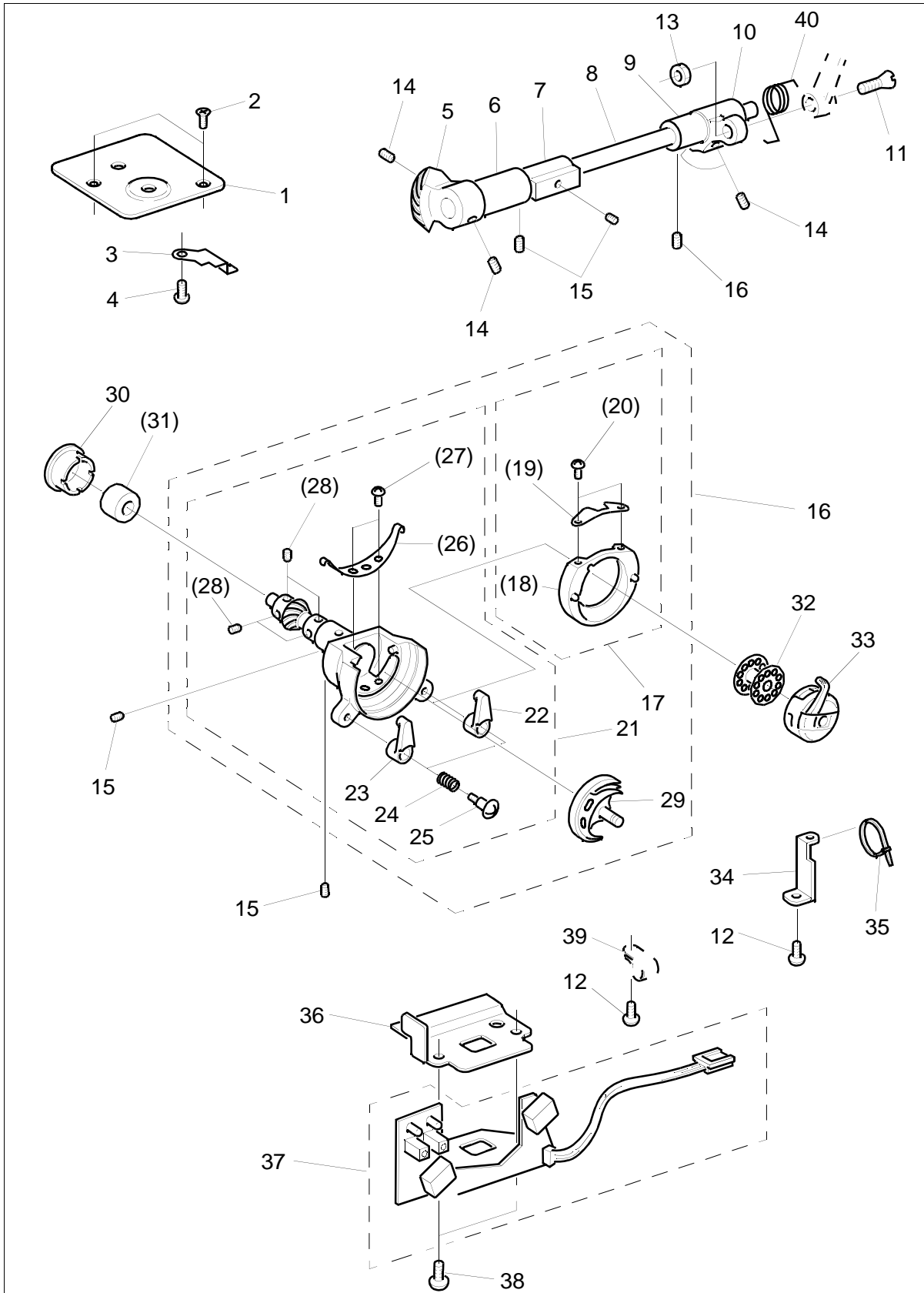
EP 1B Illustration # 4



Parts List for Illustration # 4

<u>Item Identifier</u>	<u>Melco Part Number</u>	<u>Vendor Part Number</u>	<u>Item Description</u>	<u>Quantity</u>
1		718-112-002	Set plate	1
2		000-002-806	Snap ring 6	1
3		647-040-005	Thread take-up lever shaft	1
4		730-509-008	Needle bar crank pin (Unit)	1
5		715-537-008	Thread take-up lever (Unit)	1
6	12495	718-543-006	Upper shaft (Unit)	1
7		102-073-003	Set screw	1
8		102-063-000	Set screw	1
9		000-111-304	Socket screw M5 x 5 mm	3
10		000-111-108	Socket screw M4 x 6 mm	2
11		718-005-001	Shield plate (2) for sensor	1
12		000-081-005	Set screw M4 x 8 mm	3
13	12496	718-231-008	Upper shaft rear bushing	1
14	12497	718-658-005	Hand wheel (Unit)	1
15	12498	718-207-005	Hand wheel	1
16	12499	737-078-004	Balance weight	1
17		000-122-308	Set screw M3 x 20 mm (B)	2
18		000-114-802	Set screw M4 x 12 mm	1
19		715-505-007	Crank rod (Unit)	1
20		102-127-003	Set screw	2
21		715-049-008	Felt holder	1
22		715-048-007	Felt (2)	1
23		715-047-006	Washer	2
24		718-652-009	Upper shaft sensor (Unit)	1
25	12500	718-208-006	Set plate	1
26	12501	830-543-203	Sensor (Unit)	1
27		718-501-105	Solenoid (Unit)	1
28		716-024-000	Thread tension release rod	1
29		000-021-502	Spring pin 3.5	1
30		000-014-306	Snap ring 3	1
31		000-103-808	Set screw M3 x 5 mm	2
32		000-103-705	Set screw M4 x 5 mm	2
33		000-053-008	Grip band	2

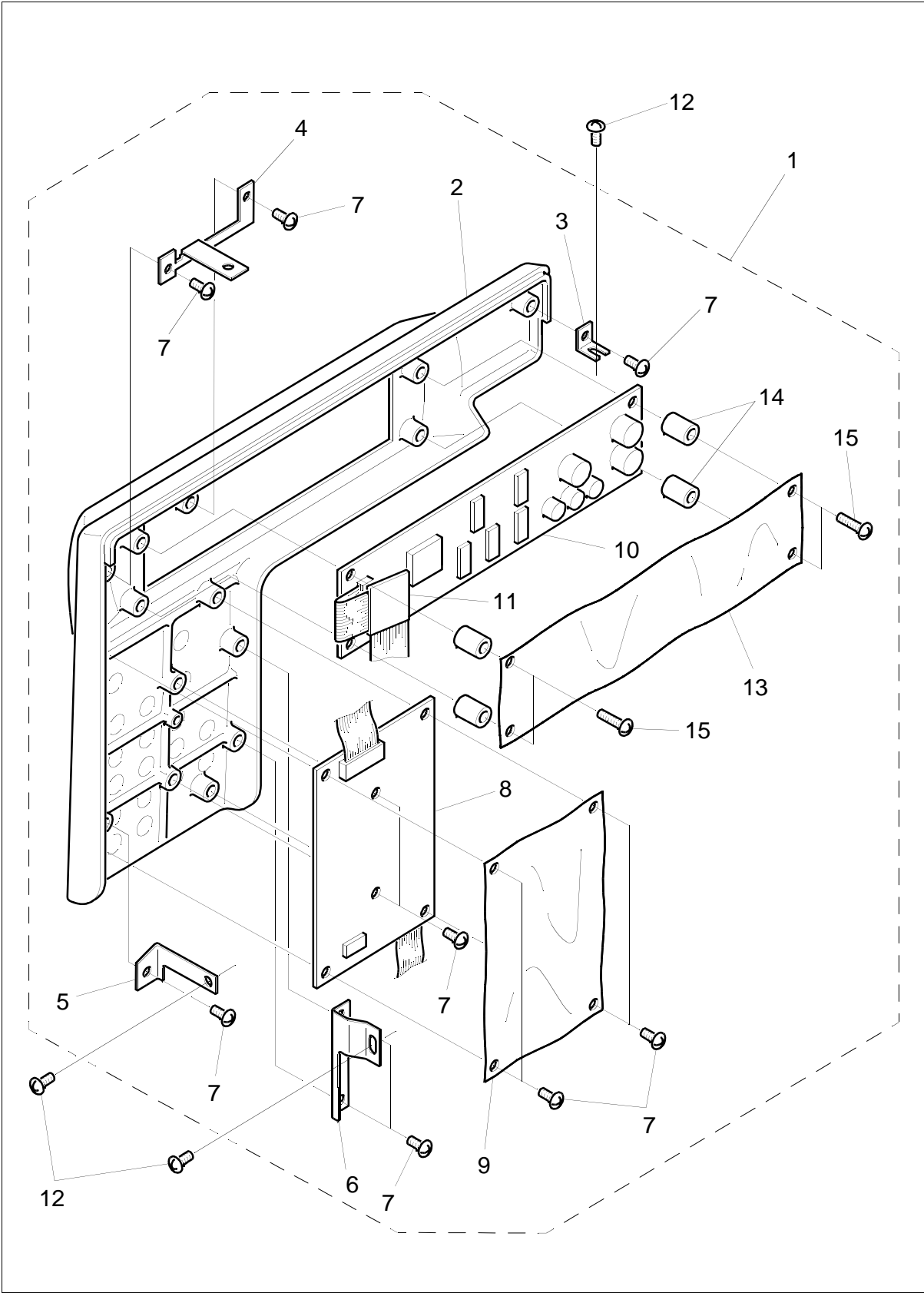
EP 1B Illustration # 5



Parts List for Illustration # 5

<u>Item Identifier</u>	<u>Melco Part Number</u>	<u>Vendor Part Number</u>	<u>Item Description</u>	<u>Quantity</u>
1		715-030-006	Throat plate	1
2		681-009-008	Set screw	2
3		730-107-002	Gear box upper cover	1
4		000-101-404	Set screw M4 x 6 mm	1
5		718-110-000	Lower shaft gear	1
6		738-024-008	Lower shaft front bushing	1
7		647-043-008	Feed lifting cam	1
8		647-142-008	Lower shaft	1
9		640-038-009	Lower shaft rear bushing	1
10		640-010-005	Lower shaft crank	1
11		761-161-000	Taper screw	1
12		000-081-005	Set screw M4 x 8 mm	2
13		102-129-005	Nut	1
14		000-110-107	Socket screw M5 x 5 mm	4
15		000-111-304	Socket screw M5 x 5 mm	5
16		716-609-027	Hook race (Unit)	1
17		553-516-003	Hook race body cover (Unit)	1
(18)		553-168-006	Hook race body cover	1
(19)		601-801-000	Hook race body cover cap spring	1
(20)		102-100-000	Set screw	2
21		716-684-004	Hook race (Unit)	1
22		605-065-006	Hook race body cover holder (A)	1
23		605-066-007	Hook race body cover holder (B)	1
24		532-184-003	Hook race clasp spring	2
25		673-290-003	Hinged screw	2
(26)		716-029-005	Driver spring	1
(27)		102-202-003	Set screw	2
(28)		553-245-008	Socket screw	4
29		716-032-104	Hook body	1
30		626-045-407	Cap	1
31		-----	This part will not be supplied as a single part	1
32		102-115-008	Bobbin	1
33		716-505-000	Bobbin case (Unit)	1
34		715-157-000	Set plate for sensor unit	1
35		000-053-008	Grip band	1
36		715-051-003	Gear box rear cap	1
37	12502	718-542-005	Printed circuit board S (Unit)	1
38		000-101-208	Set screw M5 x 6 mm	2
39		000-126-003	Nylon clip SL-3N	1
40		718-247-007	Spring	1

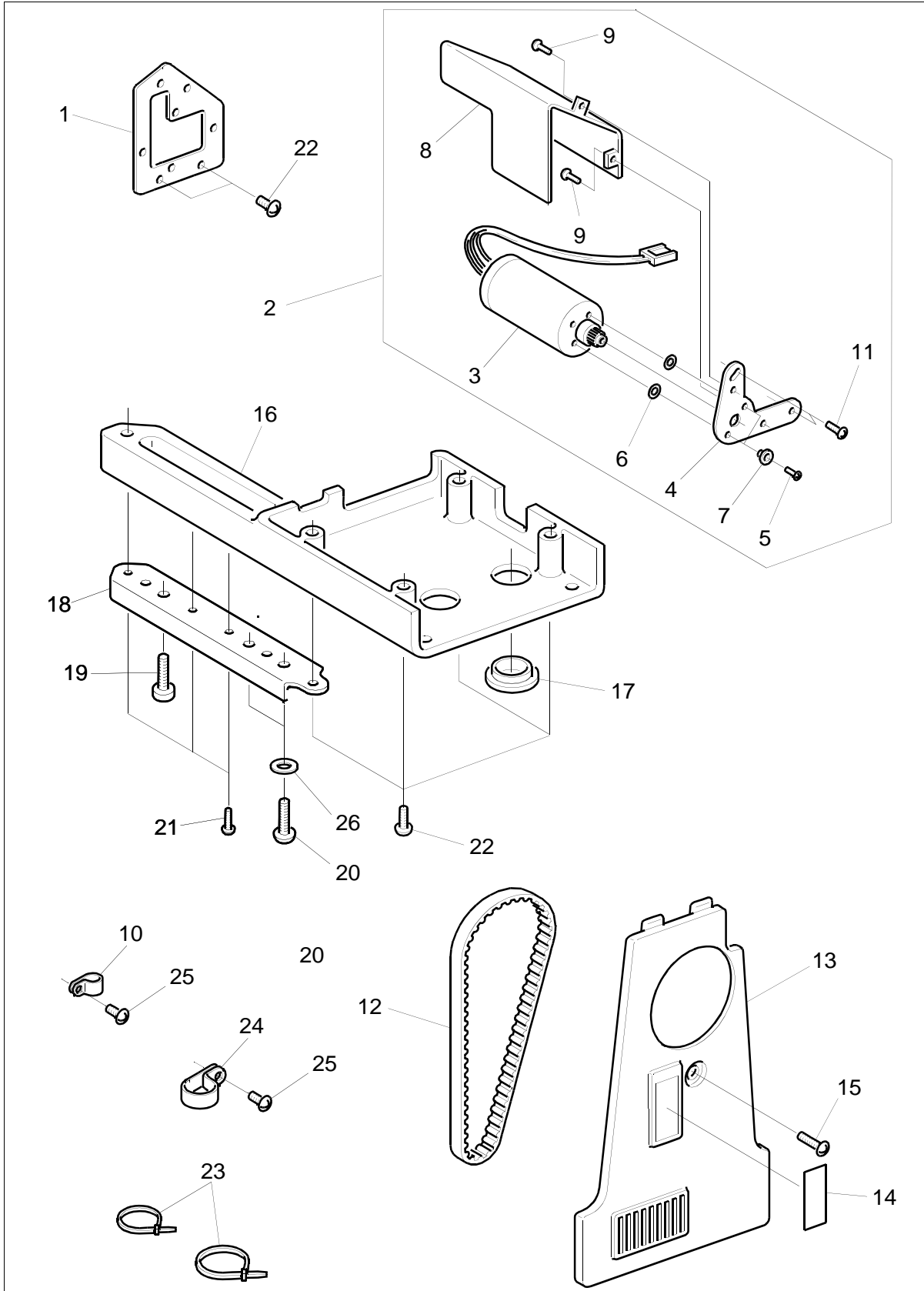
EP 1B Illustration # 6



Parts List for Illustration # 6

<u>Item Identifier</u>	<u>Melco Part Number</u>	<u>Vendor Part Number</u>	<u>Item Description</u>	<u>Quantity</u>
1	12503	718-654-001	Front cover (Unit)	1
2	12504	718-212-003	Front cover	1
3		718-007-003	Bracket (A)	1
4	12505	718-211-002	Bracket	1
5		718-009-005	Bracket (C)	1
6		718-010-009	Bracket (D)	1
7		000-120-203	Set screw M3 x 8 mm (B)	12
8	12506	718-545-008	Printed circuit board K (Unit)	1
9	12507	718-213-004	Insulating sheet	1
10	12508	718-659-006	V.F.D. (Unit)	1
11	12509	718-664-004	Cord (Unit)	1
12		000-081-005	Set screw M4 x 8 mm	3
13	12511	718-233-000	Shield sheet	1
14	12512	718-244-004	Spacer	4
15		000-160-607	Set screw M3 x 16 mm (B)	4

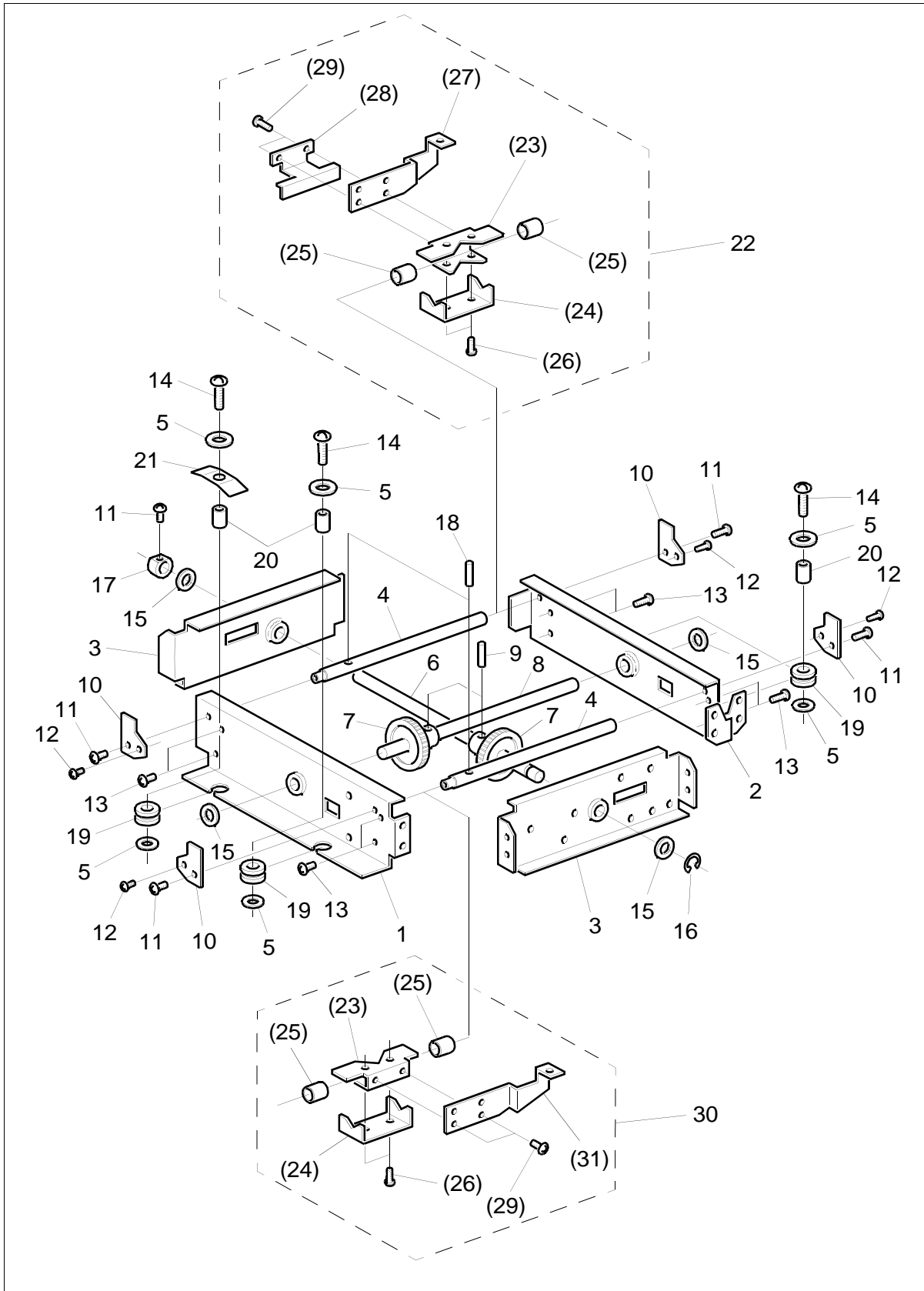
EP 1B Illustration # 7



Parts List for Illustration # 7

<u>Item Identifier</u>	<u>Melco Part Number</u>	<u>Vendor Part Number</u>	<u>Item Description</u>	<u>Quantity</u>
1		731-052-200	Set plate	1
2	12513	718-655-002	Motor (Unit)	1
3	12514	827-516-012	DC Motor (Unit)	1
4	12515	718-215-006	Motor bracket	1
5		000-115-906	Set screw M3 x 12 mm	1
6	12516	080-200-608	Washer (2)	2
7	12517	080-200-701	Washer (1)	2
8	12518	718-230-007	Cord guide	1
9		000-081-119	Set screw M4 x 6 mm	2
10		000-126-508	Nylon clip SL-6N	1
11		000-115-504	Set screw M5 x 10 mm	2
12	12519	650-166-008	Timing belt	1
13		731-002-401	Belt cover	1
14		721-005-207	Sticker	1
15		000-104-119	Set screw M4 x 20 mm	1
16	12520	718-236-003	Base	1
17		701-183-002	Base rubber cap	1
18		730-008-002	Arm supporter	1
19		716-118-002	Adjusting screw	1
20		000-066-808	Set screw M6 x 14 mm	2
21		000-107-204	Set screw M3 x 12 mm (B)	3
22		000-081-005	Set screw M4 x 8 mm	6
23		000-053-101	Grip band	2
24		000-126-405	Nylon clip SL-11N	1
25		000-103-509	Set screw M4 x 10 mm	2
26		000-116-000	Washer 7	2

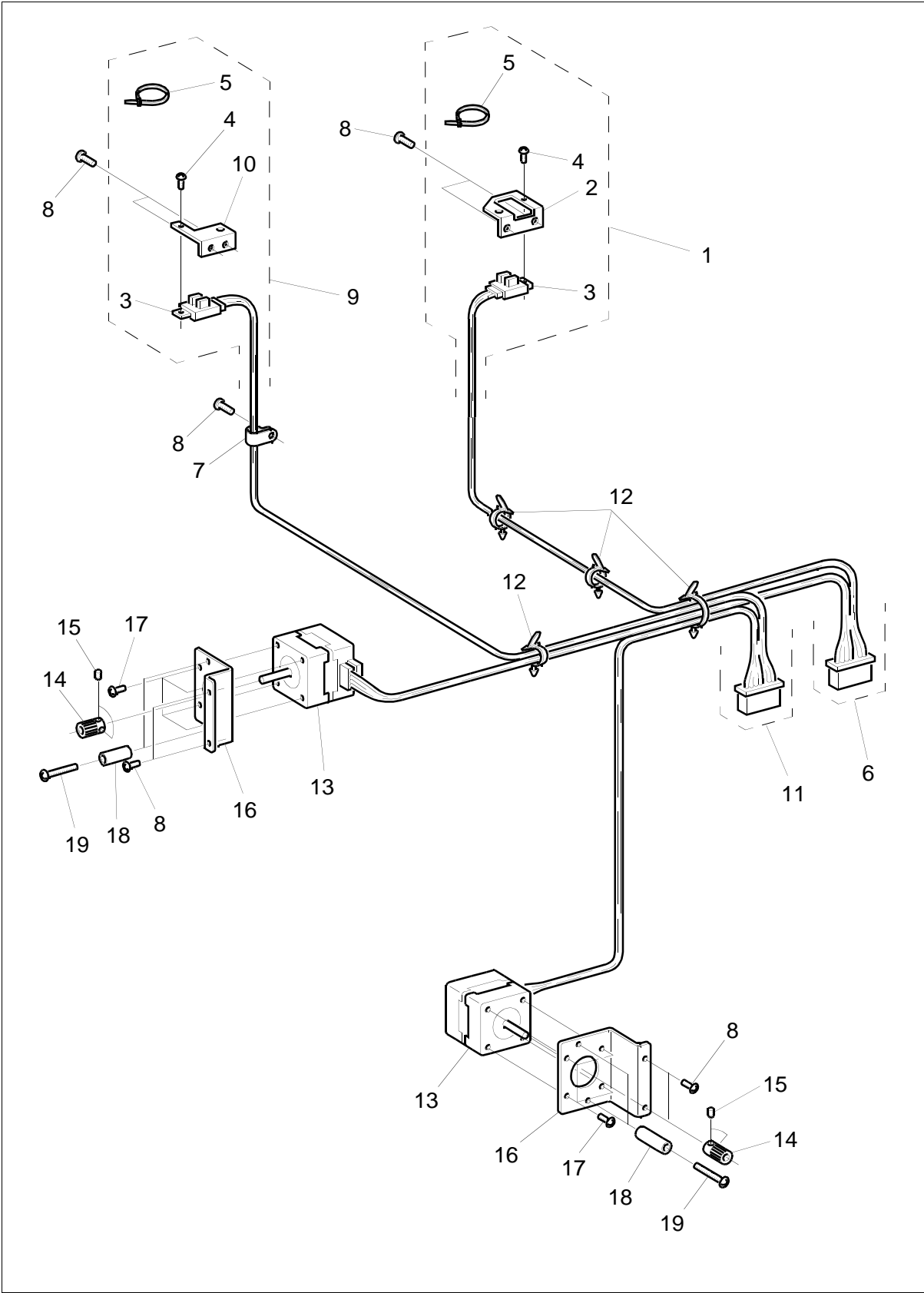
EP 1B Illustration # 8



Parts List for Illustration # 8

<u>Item Identifier</u>	<u>Melco Part Number</u>	<u>Vendor Part Number</u>	<u>Item Description</u>	<u>Quantity</u>
(Unit)		718-656-009	X-Y Mechanism	1
1	12521	718-657-004	Left side bracket (Unit)	1
2	12522	718-660-000	Right side bracket (Unit)	1
3	12523	718-653-000	Side bracket (Unit)	2
4		717-011-007	X-guide bar	2
5		717-057-005	Washer	8
6		717-012-008	X-shaft	1
7	12524	718-218-009	Gear	2
8		717-013-009	Y-shaft	1
9		000-022-503	Spring pin	2
10		715-066-001	Y-stopper	4
11		000-081-005	Set screw M4 x 8 mm	5
12		000-103-808	Set screw M3 x 5 mm	4
13		000-103-705	Set screw M4 x 5 mm	8
14		000-093-011	Set screw M5 x 16 mm	4
15		000-036-706	Thrust washer FT-100	4
16		000-030-205	Snap ring 8	1
17		821-025-000	Ring	1
18		000-019-806	Spring pin M2 x 16 mm	2
19		716-055-000	Cushion	4
20		000-140-601	Bushing M6 x 8 mm	4
21		716-117-001	Leaf spring	1
22		718-681-007	X-carriage (B) (Unit)	1
(23)		715-086-007	Bearing holder	2
(24)		715-088-009	Bearing holder	2
(25)		715-087-008	Guide bushing	4
(26)		000-101-507	Set screw M3.5 x 5 mm	4
(27)		717-015-001	X-carriage (B)	1
(28)		718-023-005	X-shield plate	1
(29)		000-103-705	Set screw M4 x 5 mm	4
30		718-680-006	X-carriage (A) (Unit)	1
(31)		717-014-000	X-carriage (A)	1

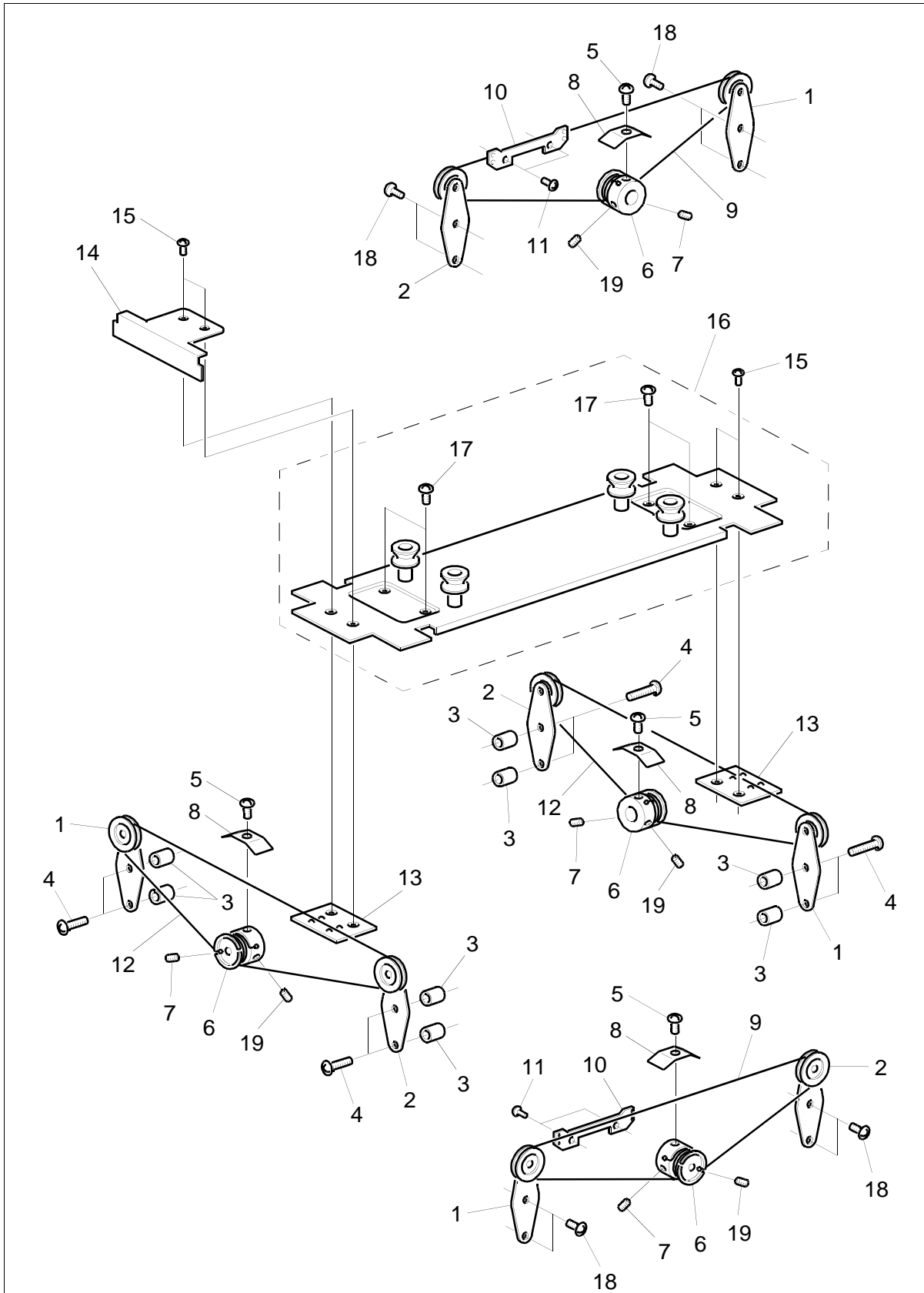
EP 1B Illustration # 9



Parts List for Illustration # 9

<u>Item Identifier</u>	<u>Melco Part Number</u>	<u>Vendor Part Number</u>	<u>Item Description</u>	<u>Quantity</u>
1	12525	718-661-001	X-sensor (Unit)	1
2	12526	718-224-008	Set plate	1
3	12527	718-562-001	Sensor (Unit)	2
4		000-078-319	Set screw M3 x 6 mm	2
5		000-053-008	Grip band	2
6	12528	718-563-002	Motor cord (Unit)	1
7		000-126-003	Nylon clip SL-3N	1
8		000-103-705	Set screw M4 x 5 mm	9
9	12529	718-662-002	Y-sensor (Unit)	1
10	12530	718-225-009	Set plate	1
11	12531	718-563-105	Motor cord (Unit)	1
12	12532	718-241-001	Grip band	4
13		832-573-002	Stepping motor (Unit)	2
14	12533	718-219-000	Motor gear	2
15		000-111-201	Set screw M4 x 4 mm	4
16	12534	718-222-006	Set plate	2
17		000-066-705	Set screw M3 x 8 mm	8
18	12535	718-223-007	Ring	4
19		000-103-200	Set screw M4 x 30 mm	4

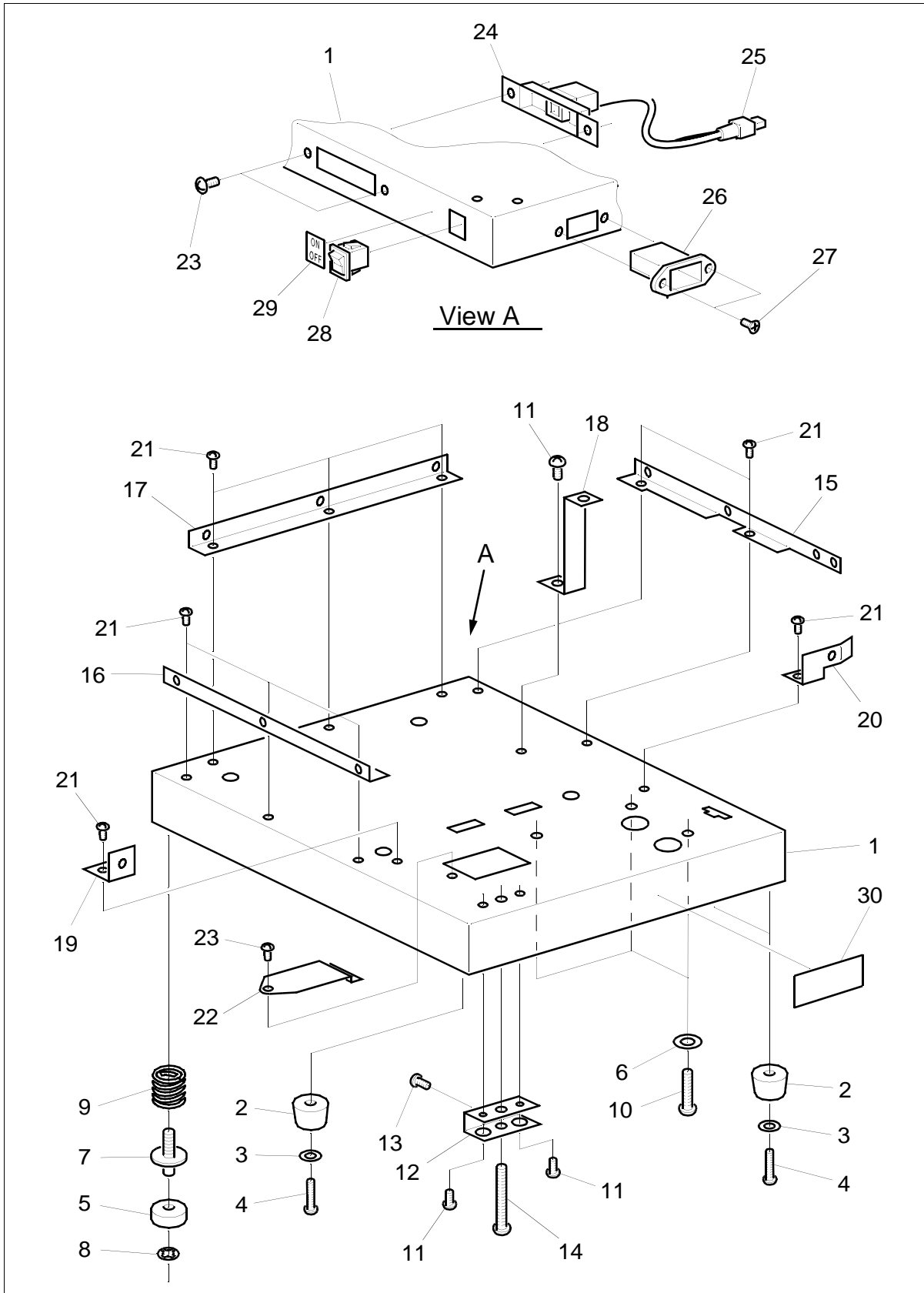
EP 1B Illustration # 10



Parts List for Illustration # 10

<u>Item Identifier</u>	<u>Melco Part Number</u>	<u>Vendor Part Number</u>	<u>Item Description</u>	<u>Quantity</u>
1		715-622-001	Set plate (A) for pulley (Unit)	4
2		715-623-002	Set plate (B) for pulley (Unit)	4
3		715-070-008	Ring (A)	8
4		000-101-817	Set screw M4 x 16 mm	8
5		000-101-404	Set screw M4 x 6 mm	4
6		715-075-003	Pulley	4
7		000-111-108	Socket screw M4 x 6 mm	4
8		715-076-004	Wire holder	4
9		717-501-009	X-wire (Unit)	2
10		715-089-000	X-wire holder	2
11		000-101-507	Set screw M3.5 x 5 mm	4
12		717-502-000	Y-wire (Unit)	2
13		715-099-003	Y-wire holder	2
14		716-049-001	Y-shield plate	1
15		000-103-004	Set screw M5 x 6 mm	4
16		717-611-003	Y-carriage (Unit)	1
17		000-081-005	Set screw M4 x 8 mm	4
18		000-103-705	Set screw M4 x 5 mm	8
19		000-110-303	Socket screw M4 x 6 mm	4

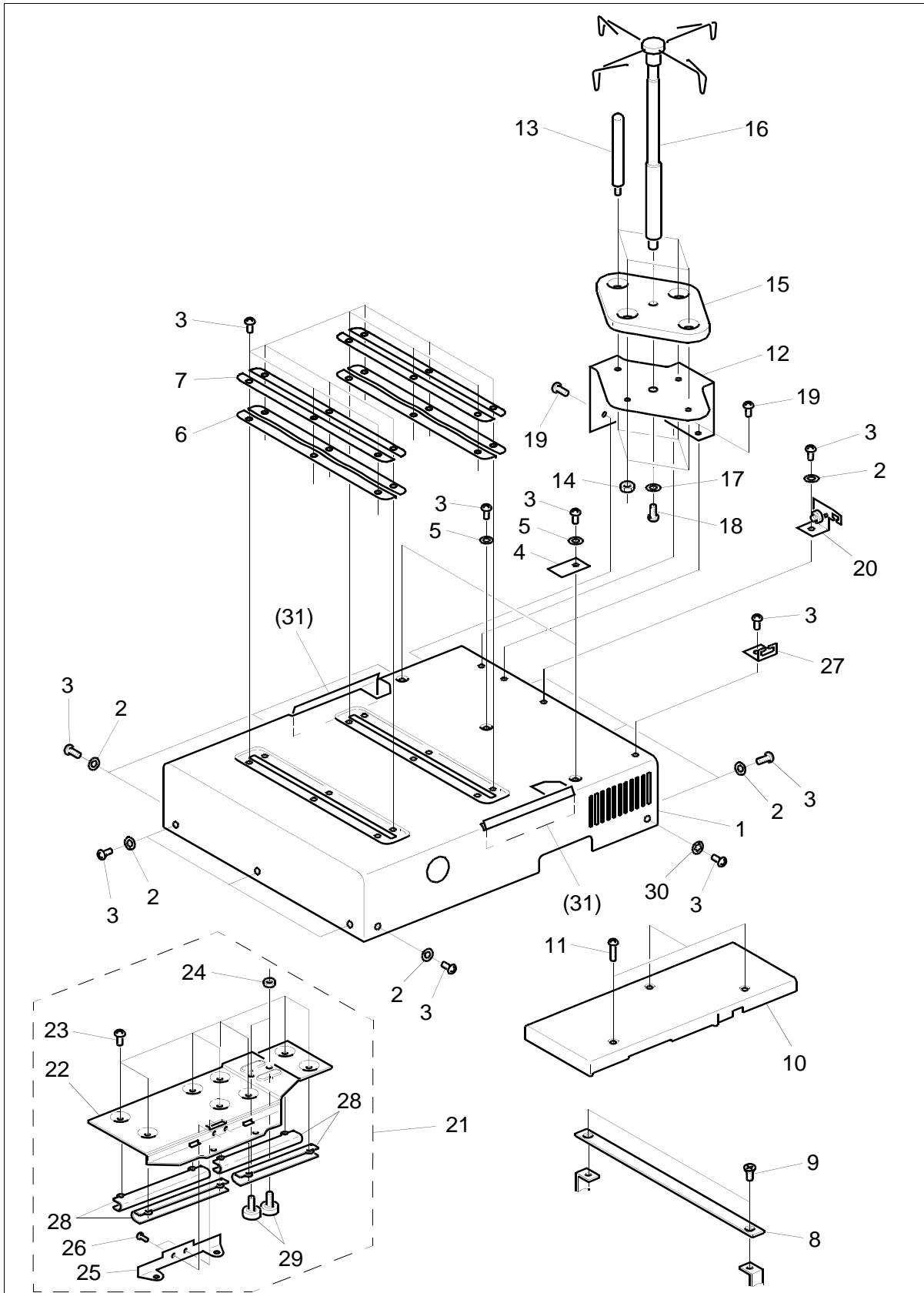
EP 1B Illustration # 11



Parts List for Illustration # 11

<u>Item Identifier</u>	<u>Melco Part Number</u>	<u>Vendor Part Number</u>	<u>Item Description</u>	<u>Quantity</u>
1	12536	718-226-000	Base plate	1
2		715-111-002	Rubber cushion	3
3		534-050-005	Washer	3
4		000-162-609	Set screw M4 x 16 mm (S)	3
5		605-074-008	Rubber cushion	1
6		000-007-812	Washer 6	3
7		820-350-004	Adjusting screw	1
8		813-123-004	Snap ring	1
9		820-351-005	Spring	1
10		000-138-101	Set screw	3
11		000-103-705	Set screw M4 x 5 mm	3
12		716-054-009	Bracket	1
13		000-103-509	Set screw M4 x 10 mm	1
14		000-078-607	Set screw M6 x 35 mm	1
15		718-071-019	Set plate (F3)	1
16		718-070-007	Set plate (F2)	1
17		718-069-003	Set plate (F1)	1
18		717-048-003	Set plate for cover	1
19		715-114-005	Set plate	1
20		718-026-019	Set plate (B)	1
21		000-101-105	Set screw M3 x 4 mm	10
22	12537	718-227-001	Cover	1
23	12538	810-220-106	Set screw M4 x 6.5 mm	3
24	12539	718-228-002	Set plate	1
25	12540	718-544-007	LAN cord (Unit)	1
26	12541	718-560-009	Inlet (Unit)	1
27	12542	000-102-519	Set screw M3 x 6 mm	2
28	12543	718-561-000	Power switch (Unit)	1
29		100-169-001	Sticker	1
30		100-481-002	Sticker	1

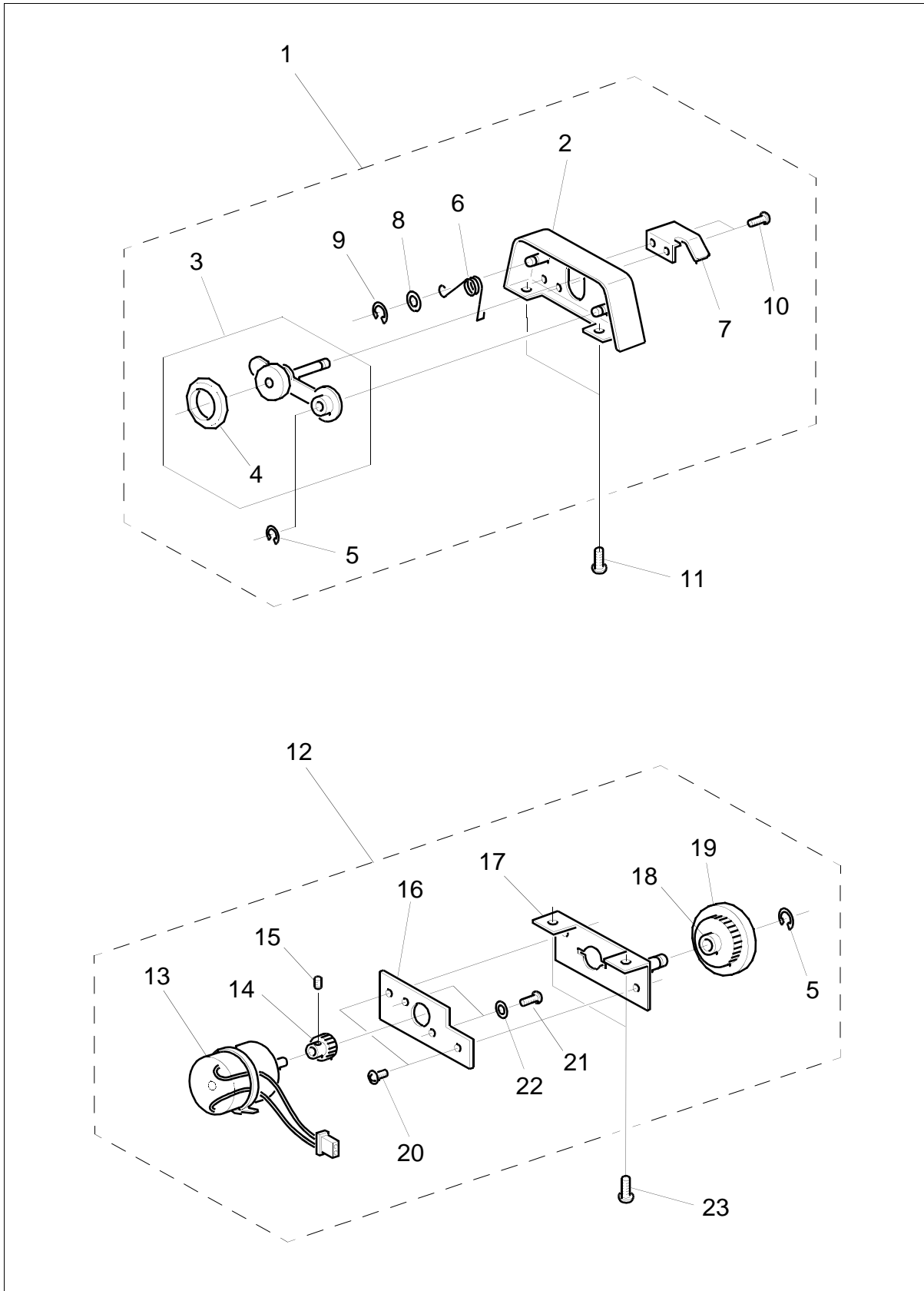
EP 1B Illustration # 12



Parts List for Illustration # 12

<u>Item Identifier</u>	<u>Melco Part Number</u>	<u>Vendor Part Number</u>	<u>Item Description</u>	<u>Quantity</u>
1		718-612-100	X-Y cover (Unit)	1
2		000-070-126	Washer 3	12
3		000-101-116	Set screw M3 x 4 mm	28
4		715-119-217	Plate	2
5		000-070-218	Washer 3	2
6		717-049-004	Y-dust cover sheet	4
7		717-050-307	Sheet supporter	4
8		717-017-003	X-carriage guide bar	1
9		000-096-704	Counter sunk screw M4 x 5 mm	2
10		717-027-202	Carriage cover	1
11		000-080-428	Set screw M3 x 10 mm	3
12		717-034-224	Spool holder base	1
13		716-075-006	Thread stand rod	4
14		000-062-402	Nut 4-2-7	4
15		715-121-005	Cushion	1
16		718-635-006	Thread guide (Unit)	1
17		000-007-616	Spring washer 4	1
18		000-081-005	Set screw M4 x 8 mm	1
19		000-101-507	Set screw M3.5 x 5 mm	3
20		716-624-006	Bobbin winding guide (A)	1
21		717-615-007	Carriage (Unit)	1
22		717-025-004	Carriage	1
23		000-103-705	Set screw M4 x 5 mm	8
24		000-061-319	Nut 5-1-8	2
25		715-105-003	Leaf spring	1
26		000-115-401	Set screw M3 x 4 mm	2
27		716-072-003	Bobbin winding guide (B)	1
28		717-026-005	Guide rail	4
29		715-631-003	Carriage bearing (Unit)	2
30		000-006-006	Toothed lock washer A-3.5	1
(31)		717-033-005	Dust cover sheet	2

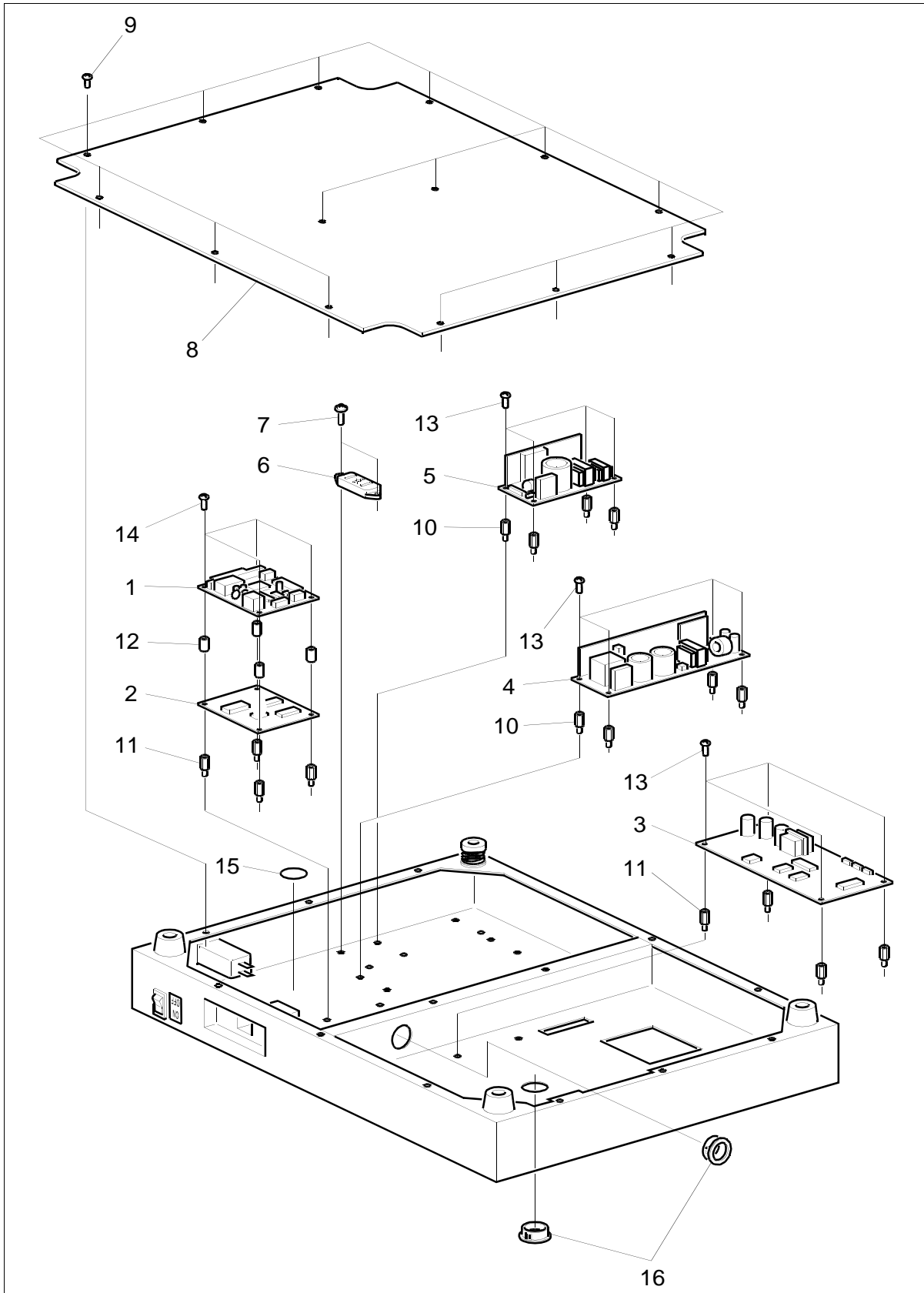
EP 1B Illustration # 13



Parts List for Illustration # 13

<u>Item Identifier</u>	<u>Melco Part Number</u>	<u>Vendor Part Number</u>	<u>Item Description</u>	<u>Quantity</u>
1		716-622-004	Bobbin thread winder (Unit)	1
2		716-062-000	Bobbin winding bracket	1
3		716-509-004	Bobbin winding arm (Unit)	1
4		365-076-007	Rubber ring	1
5		000-002-507	Snap ring 4	2
6		716-065-003	Bobbin winding spring	1
7		716-063-001	Bobbin winding stopper	1
8		000-036-603	Thrust washer FT-50	1
9		000-013-903	Snap ring 5	1
10		000-101-116	Set screw M3 x 4 mm	2
11		000-101-507	Set screw M3.5 x 5 mm	2
12		718-611-106	Bobbin winding motor (Unit)	1
13		080-172-002	Bobbin winding motor	1
14		716-059-004	Gear	1
15		000-111-005	Socket screw M3 x 3 mm	1
16		716-057-105	Sub bracket for motor	1
17		716-058-003	Motor mounting plate	1
18		716-060-008	Pulley gear	1
19		716-061-009	Pulley	1
20		000-078-319	Set screw M3 x 6 mm	4
21		000-169-307	Set screw M2.6 x 5 mm	2
22		000-070-218	Washer 3	2
23		000-101-507	Set screw M3.5 x 5 mm	2

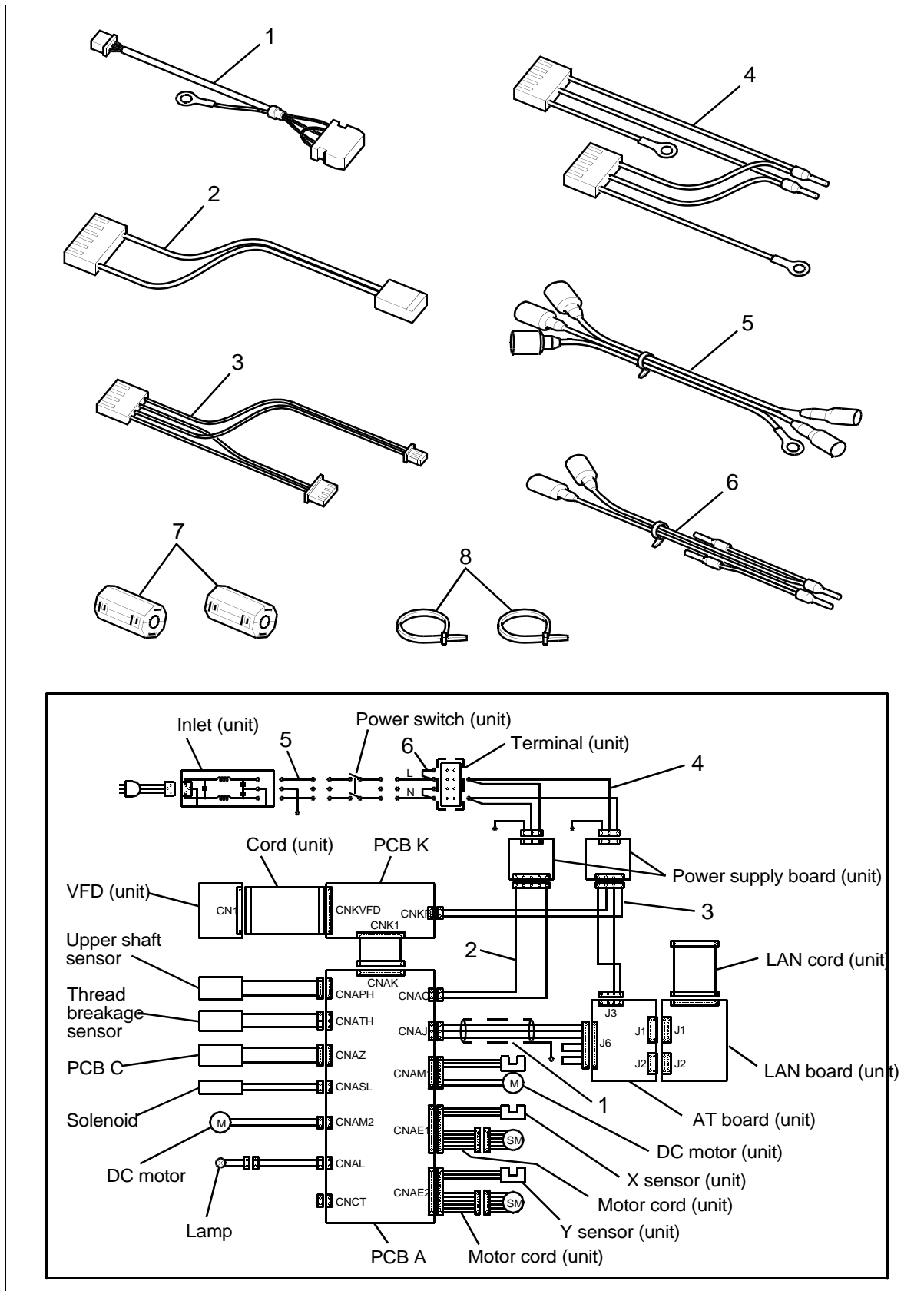
EP 1B Illustration # 14



Parts List for Illustration # 14

<u>Item Identifier</u>	<u>Melco Part Number</u>	<u>Vendor Part Number</u>	<u>Item Description</u>	<u>Quantity</u>
1	12544	718-551-007	LAN board (Unit)	1
2	12545	718-553-009	AT board (Unit)	1
3	12546	718-555-001	Printed circuit board A (Unit)	1
4	12547	718-556-002	Power supply board (Unit)	1
5	12548	718-558-004	Power supply board (Unit)	1
6	12549	718-550-006	Terminal (Unit)	1
7		000-115-009	Set screw M3 x 8 mm	2
8	12550	718-229-003	Bottom plate	1
9		000-103-705	Set screw M4 x 5 mm	14
10	12551	718-237-004	Stud screw	8
11	12552	718-238-005	Stud screw	8
12	12553	718-239-006	Spacer	4
13		000-078-319	Set screw M3 x 6 mm	12
14		000-106-007	Set screw M3 x 25 mm	4
15	12554	100-407-004	Sticker	1
16	12555	718-240-000	Cord bushing	2

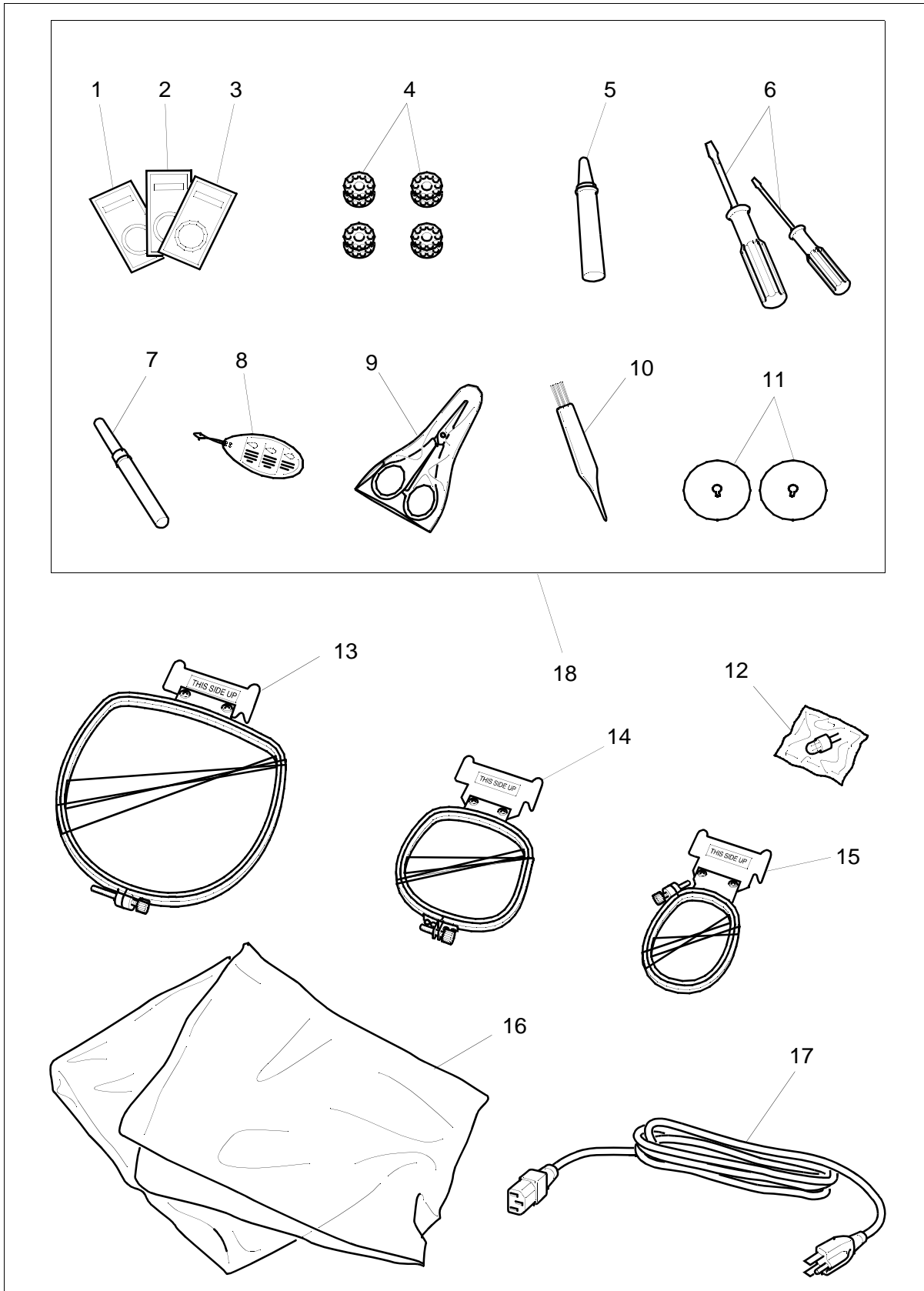
EP 1B Illustration # 15



Parts List for Illustration # 15

<u>Item Identifier</u>	<u>Melco Part Number</u>	<u>Vendor Part Number</u>	<u>Item Description</u>	<u>Quantity</u>
1	12556	718-554-000	Cord (Unit)	1
2	12557	718-557-003	Power supply cord (Unit)	1
3	12558	718-559-005	Power supply cord (Unit)	1
4	12559	718-549-002	Terminal cord (Unit)	1
5	12560	718-548-001	Inlet cord (Unit)	1
6	12561	718-540-003	Switch cord (Unit)	1
7	12562	718-235-002	Ferrite core (2)	2
8		000-053-008	Grip band	2

EP 1B Illustration # 16



Parts List for Illustration # 16

<u>Item Identifier</u>	<u>Melco Part Number</u>	<u>Vendor Part Number</u>	<u>Item Description</u>	<u>Quantity</u>
"Accessories"				
1		716-813-004	Needle HA1-9 (5 pieces batch)	1
2		716-813-107	Needle HA1-11 (5 pieces batch)	1
3		716-813-200	Needle HA1-14 (5 pieces batch)	1
4		102-115-008	Bobbin	4
5		741-814-003	Oil	1
6		366-402-009	Screwdriver (large and small)	1
7		560-406-104	Seam ripper	1
8		784-805-004	Threader	1
9		822-814-007	Scissors	1
10		802-424-004	Brush	1
11		822-020-503	Spool presser	2
12		000-009-906	Light bulb (13.5V, 3W)	1
13		716-803-012	Hoop (7) large size	1
14		716-805-003	Hoop (2) middle size	1
15		716-806-004	Hoop (8) small size	1
16		717-810-004	Dust cover for embroidery	1
17		980-559-004	Power supply cord (Unit)	1
18		718-636-007	Accessories (Unit)	1

