

---

---

# Part Replacement Instruction

---

---

**Product:** CH 1

**Part Replaced:** Power Supply and Fan

**Required Tools:**

Slotted Screw Driver

7/64" Allen Wrench

9/64" Allen Wrench

5/32" Allen Wrench

**Procedure:**

1. Turn the peripheral off and unplug the Power Cord from the wall socket.
2. Remove the two Retaining Screws (Figure 1-A) holding the Power Supply Assembly (Figure 1-B) in the Cabinet.

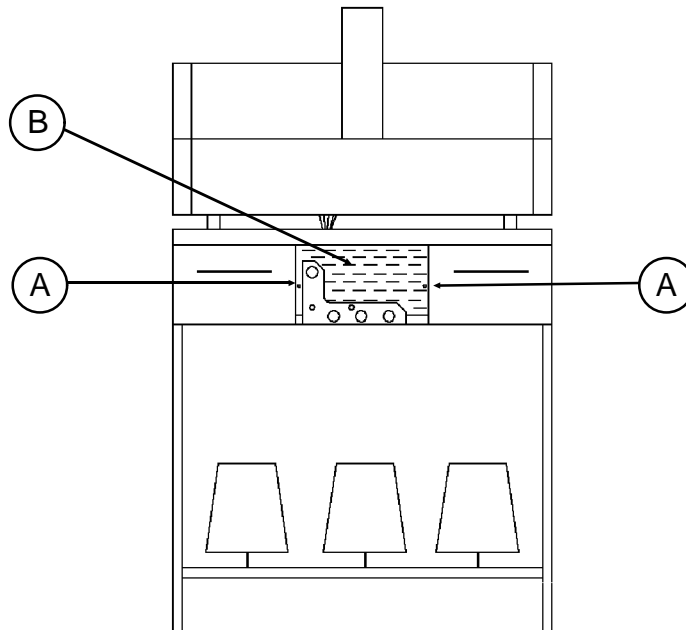


Figure 1

- Slide the Power Supply Assembly out of the Cabinet approximately 4 inches.
- Unplug the three Cable Connectors (Figure 2-C) holding the Power Supply Harness to the peripheral's Main Wiring Bundle.

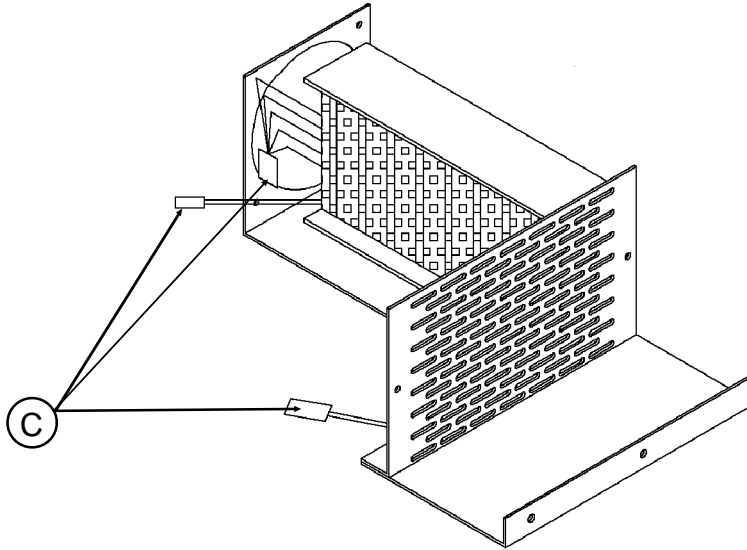


Figure 2

- Slide the Power Supply Assembly the rest of the way out of the Cabinet.
- Disconnect the Fan Cable (Figure 3-D) from the Power Supply Harness (Figure 3-E).

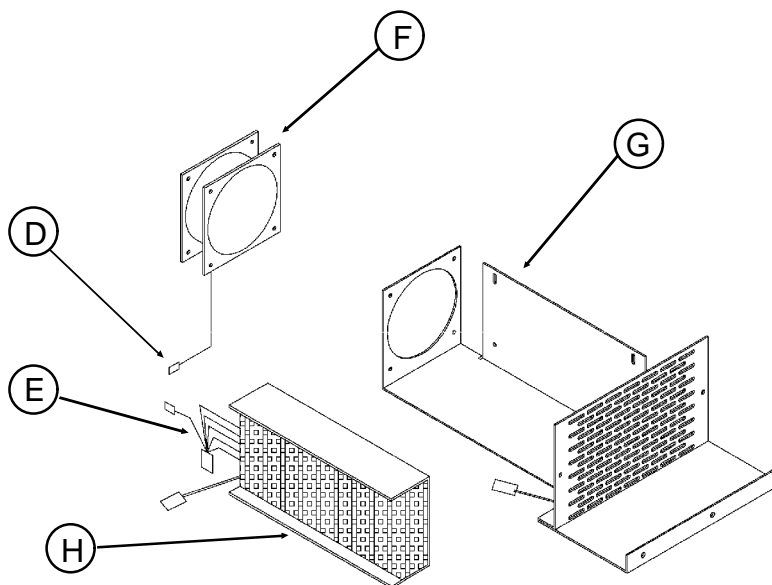


Figure 3

NOTE: If you are only replacing the Power Supply, go on to step 9.

7. Remove the four Retaining Screws holding the Fan (Figure 3-F) in the Power Supply Assembly Chassis (Figure 3-G), and remove the Fan.
8. Install the new Fan using the Retaining Screws removed in the previous step.

NOTE: If you are only replacing the Fan, go on to step 14.

9. Remove the four Retaining Screws holding the Power Supply Module (Figure 3-H) in the Power Supply Assembly Chassis, and remove the Power Supply Module.
10. Refer to Figure 4 (at the end of this procedure) and verify that the diagram of the locations where the Power Supply Harness is connected to the Power Supply Module is correct. If not, note the correct connections.
11. Remove the Retaining Screws holding the Power Supply Harness in the Power Supply Module, and remove the Harness.
12. Install the Power Supply Harness into the new Power Supply Module, using the Retaining Screws removed in the previous step and the wiring diagram (Figure 4).
13. Install the Power Supply Module in the Power Supply Assembly Chassis using the Retaining Screws removed in step 9.
14. Plug the Fan Cable into the Power Supply Harness.
15. Slide the Power Supply Assembly into the Cabinet far enough to plug the Power Supply Assembly Connectors into the Main Wiring Bundle, and make the connections.
16. Slide the Power Supply Assembly all the way into the Cabinet and secure it with the Retaining Screws removed in step 2.
17. Plug the Power Cord into the wall socket and turn the peripheral on.
18. Perform a test sew out.

END OF PROCEDURE

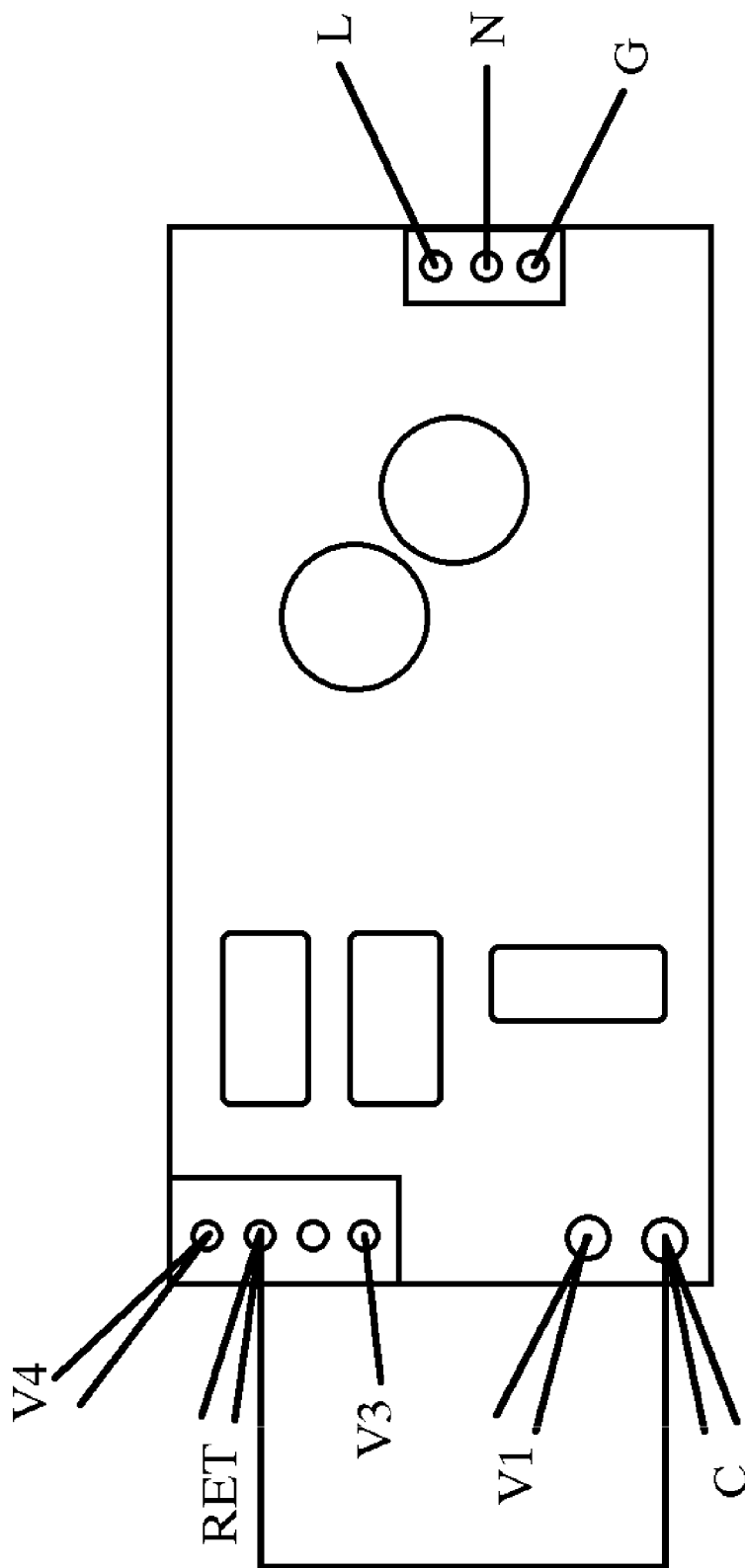


Figure 4