

---

---

# Part Replacement Instruction

---

---

**Product:** SUPERSTAR 1 & 2

**Part Replaced:** Color Change Motor

**Required Tools:**

Slotted Screw Driver  
3mm Allen Wrench

**Procedure:**

1. Turn the machine off and unplug the Power Cord from the wall socket.
2. Remove the four Retaining Screws (Figure 1-A) holding the Color Change Motor Cover (Figure 1-B) to the Color Change Tower (Figure 1-C).

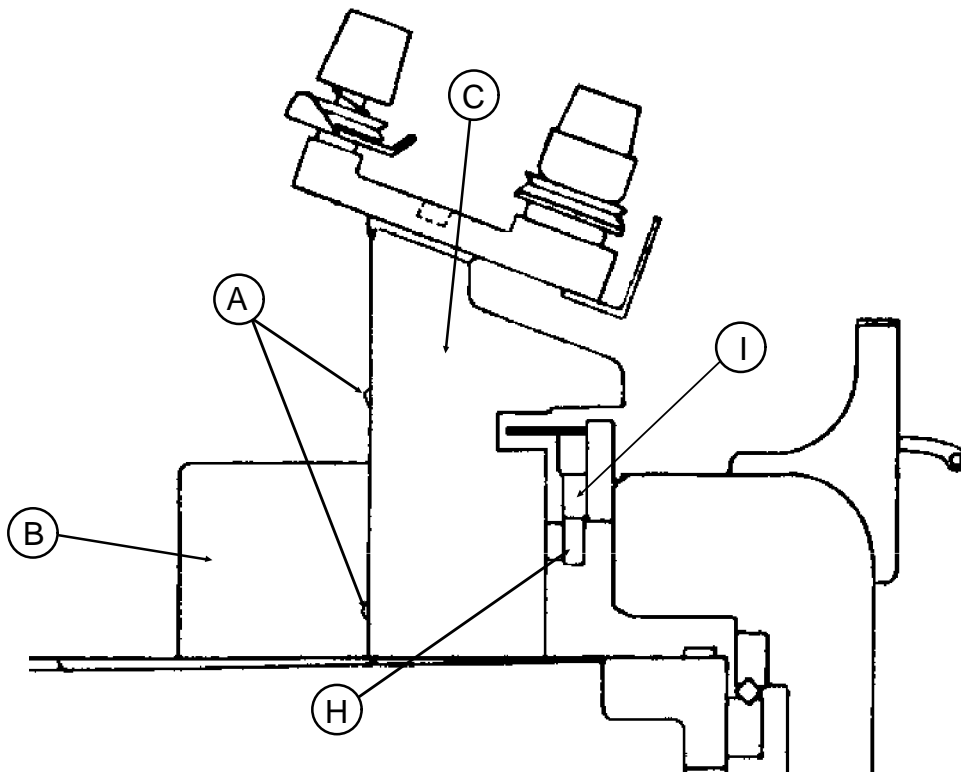


Figure 1

NOTE: Remember the position of the two wires removed in the next two steps so that you can reinstall them correctly.

3. Unplug the purple Motor Wire (Figure 2-D) from the Color Change Motor (Figure 2-E).

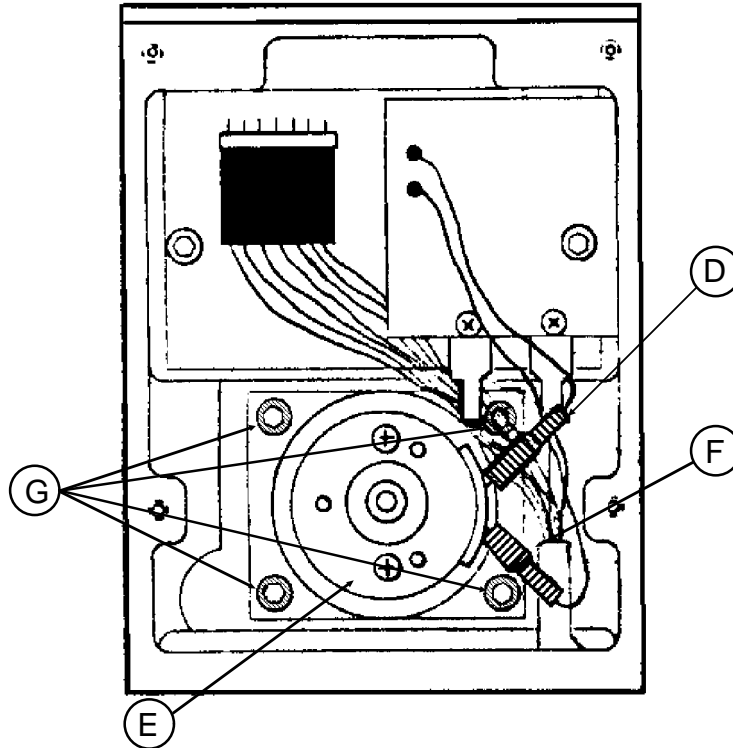


Figure 2

4. Unplug the gray Motor Wire (Figure 2-F) from the Color Change Motor.

**CAUTION: Do not let the Screws or Washers removed in the next step fall into the interior of the machine.**

5. Remove the four Retaining Screws (Figure 2-G) holding the Color Change Motor in the Color Change Tower.
6. Remove and discard the old Color Change Motor.
7. Place the new Color Change Motor in position and loosely secure it with the four Retaining Screws removed in step 5.
8. Lift up on the front of the Motor and make sure that there is a good mesh between the Color Change Motor Gear (Figure 1-H) and the Drive Rack (Figure 1-I).
9. While maintaining the gear mesh, tighten the bottom top Motor Retaining Screws.

10. Tighten the two top Motor Retaining Screws.
11. Plug the purple and gray Motor Wires into the Color Change Motor.
12. Install the Color Change Motor Cover and secure it in place with the four Retaining Screws removed in step 2.
13. Plug the Power Cord into the wall socket and turn the machine on.
14. Use the 'CREEP' function to verify Color Change Motor operation.

END OF PROCEDURE